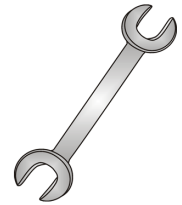




Tow-Trust Towbars

Important: Please read General Notes overleaf before fitting

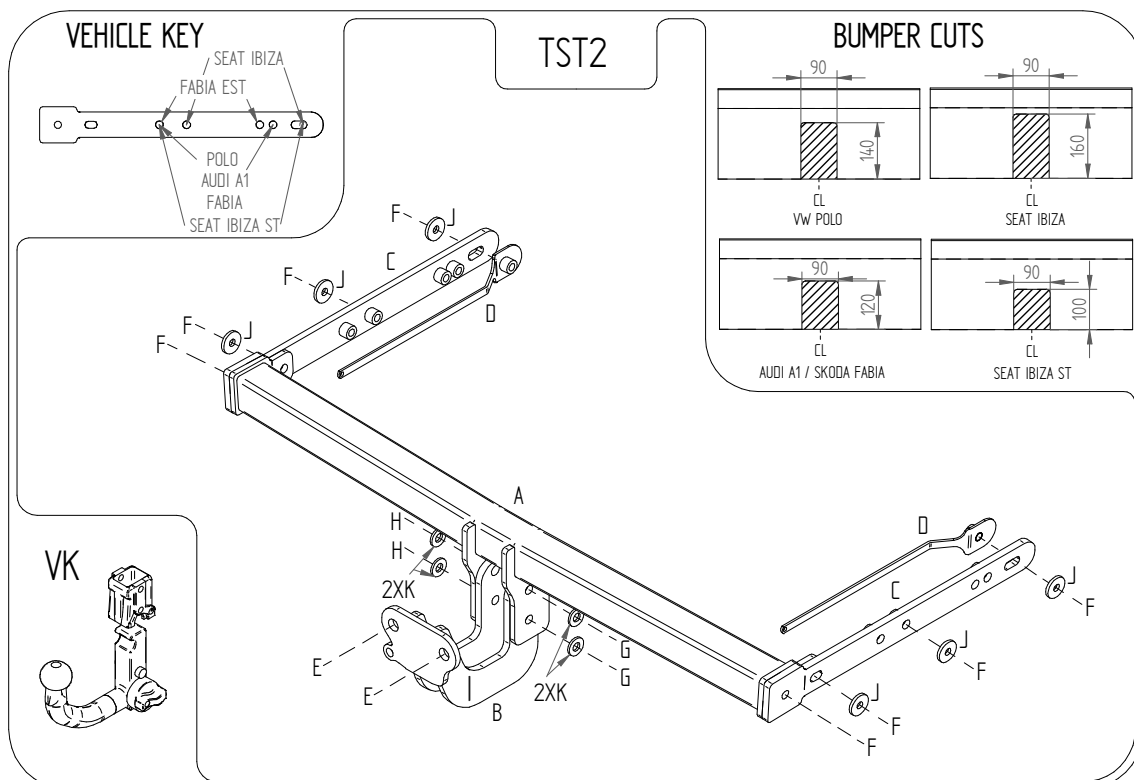


Issue 6

**TST2 AUDI A1 2010> AUDI A1 SPORTBACK 2012>
SEAT IBIZA HATCH 2008> SEAT IBIZA ST 2010>
VOLKSWAGEN POLO 2009> SKODA FABIA 2 HATCH 2007>
SKODA FABIA 2 ESTATE 2008>**

Item	Qty	Description	Item	Qty	Description
A	1	Crossbar	E	2	M16 x 50 Bolts, Nuts & S/P Washers
B	1	Extension Bar	F	8	M10 x 40 Bolts 2 Nuts & 8 S/P Washers
C	2	Side Arms	G	2	M12 x 40 Bolts & Nyloc Nuts
D	2	M10 Clamp Plates	H	2	M12 x 40 Bolts & Nyloc Nuts
			J	6	10 x 30 Flat Washers
			K	4	12 x 25 Flat Washers

- SEAT IBIZA & SEAT IBIZA ST only:** Remove the rear light clusters.
- Remove the rear bumper.
- Remove the rear crash beam (This is not refitted with Towbar assembly).
- Locate towbar mounting points on the outside face of each chassis member, these are usually covered in tape.
- Insert items **C** into each chassis member, choose correct hole location for vehicle, line up with towbar mounting points in chassis members then loosely fix in place using item **F** and item **J** (**USING ITEM D ON FORWARD MOST MOUNTING POINT IF NEEDED**).
- Using item **F** and item **J** bolt item **A** between items **C**.
- Using item **G** with item **K** and item **H** with item **K** bolt item **B** to item **A**.
- Using item **E** bolt your desired ball bracket and wiring plate (not supplied in this kit) to item **B**.
- Cut the bumper to the correct sketch for your vehicle and refit.



Note:

- Recommended Torque Setting for M12 Grade 10.9 -139 Nm. (For other Torque Settings see notes overleaf.)
- Nose load limits and vehicle manufacturer's trailer / caravan weight limits must be observed.