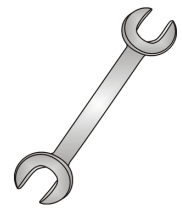




Tow-Trust Towbars

Important: Please read General Notes overleaf before fitting

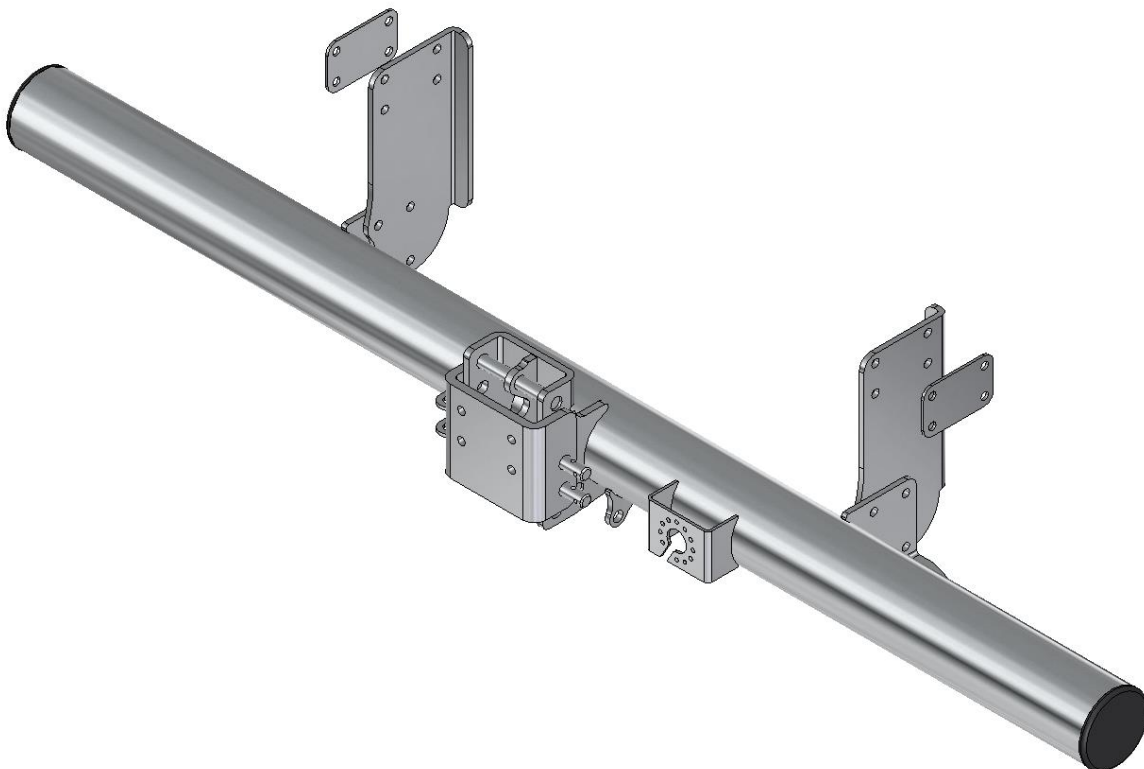


Issue 1

Mercedes Sprinter 5 Tonne Chassis Cab TM500H

Item	Qty	Description	Item	Qty	Description
A	1	Crossmember	F	4	M12 x 50 Grade 10.9 Bolts & Nyloc Nuts
B	2	Handed Side Arms	G	8	M12 x 110 Grade 10.9 Bolts & Nyloc Nuts
C	2	Chassis Clamp Plate	H	8	M12 x 40 Grade 10.9 Bolts & Nyloc Nuts
D	1	Slider Frame	J	36	12 x 25 Flat Washers
E	2	Slider Frame Pins and clips			

1. Remove the four existing bolts each side bolting the under run beam to the vehicles chassis members and remove the beam. (No longer required).
2. Locate and clean all Towbar mounting point faces on vehicle, ensure both sides of chassis are clean and free from any under seal.
3. Using Item **G** with Item **J** loosely bolt Item **B** to the existing holes in each chassis member with Item **C** on the outside face. **Note: Item C must be fitted with Towbar.**
4. Using Item **H** with Item **J** loosely bolt Item **A** to Item **B**.
5. Using Item **F** with Item **J** bolt the coupling to the mounting plate Item **D** Fully tighten all nuts and bolts and ensure the Towbar is rigid square and secure.
6. Fit Item **D** to Item **A** using Item **E**. SEE SKETCH for orientation of clips.



Note:

1. Recommended Torque Setting for M12 Grade 10.9 -139 Nm. (For other Torque Settings see notes overleaf.)
2. Nose load limits and vehicle manufacturers trailer / caravan weight limits must be observed.

TM500H

