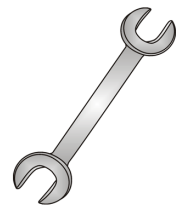




# Tow-Trust Towbars

Important: Please read General Notes overleaf before fitting

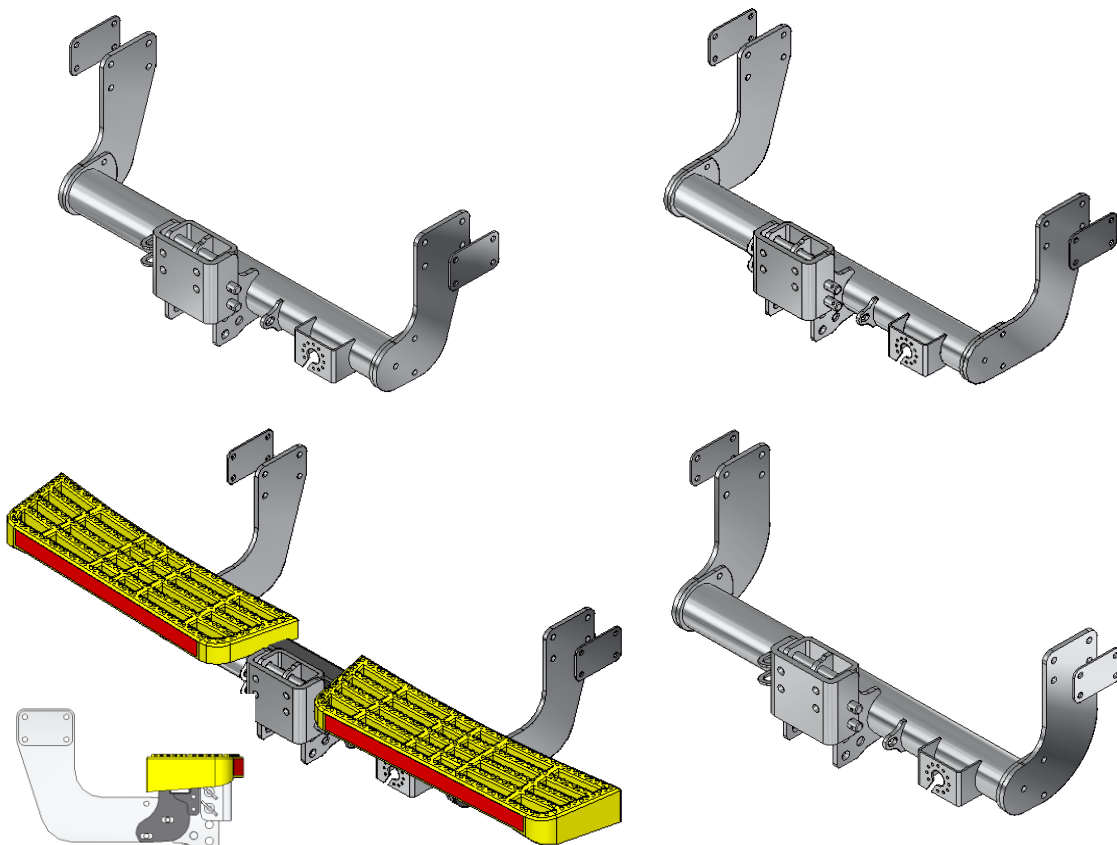


Issue 4

## Mercedes Sprinter / Volkswagen Crafter TM100B TM200B TM200BG TM300B

| Item | Qty | Description                 | Item | Qty | Description   |
|------|-----|-----------------------------|------|-----|---|
| A    | 1   | Crossmember                 | F    | 2   | M16 x 60 Bolts & Nyloc Nuts                           |
| B    | 2   | Side Arms                   | G    | 8   | M12 x 110 Grade 10.9 Bolts & Nyloc Nuts               |
| C    | 2   | Chassis Clamp Plate         | H    | 6   | M12 x 45 Grade 10.9 Bolts, 4 Nyloc Nuts 2 S/P Washers |
| D    | 1   | Slider Frame                | J    | 16  | 12 x 25 Flat Washers                                  |
| E    | 2   | Slider Frame Pins and clips | K    | 6   | 12 x 30 Flat Washers                                  |
|      |     |                             | L    | 2   | M16 x 50 Bolts  |

- 1. 5 Tonne Chassis Cab Only:** Remove the four existing bolts each side bolting the under run beam to the vehicles chassis members and remove the beam. (No longer required).
- 2. All Models:** Locate and clean all Towbar mounting point faces on vehicle, ensure both sides of chassis are clean and free from any under seal.
3. Using Item G with Item J loosely bolt Item B to the existing holes in each chassis member with Item C on the outside face. **Note: Item C must be fitted with Towbar.**
4. Using Item H with Item K loosely bolt Item A to Item B.
5. Using Item F or Item L bolt the chosen coupling to the mounting plate Item D. **(When fitting to 5 tonne vehicles with the 4 bolt coupling (E100TC) please ensure 12 x 30 flat washers supplied with coupling are behind Item D)**
6. Fully tighten all nuts and bolts and ensure the Towbar is rigid square and secure.
7. Fit Item D to Item A using Item E. SEE SKETCH for orientation of clips.



### Note:

1. Recommended Torque Setting for M12 Grade 10.9 -139 Nm. (For other Torque Settings see notes overleaf.)
2. Nose load limits and vehicle manufacturers trailer / caravan weight limits must be observed.

# TM SERIES

