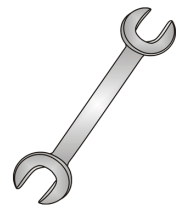




Tow-Trust Towbars

Important: Please read General Notes overleaf before fitting

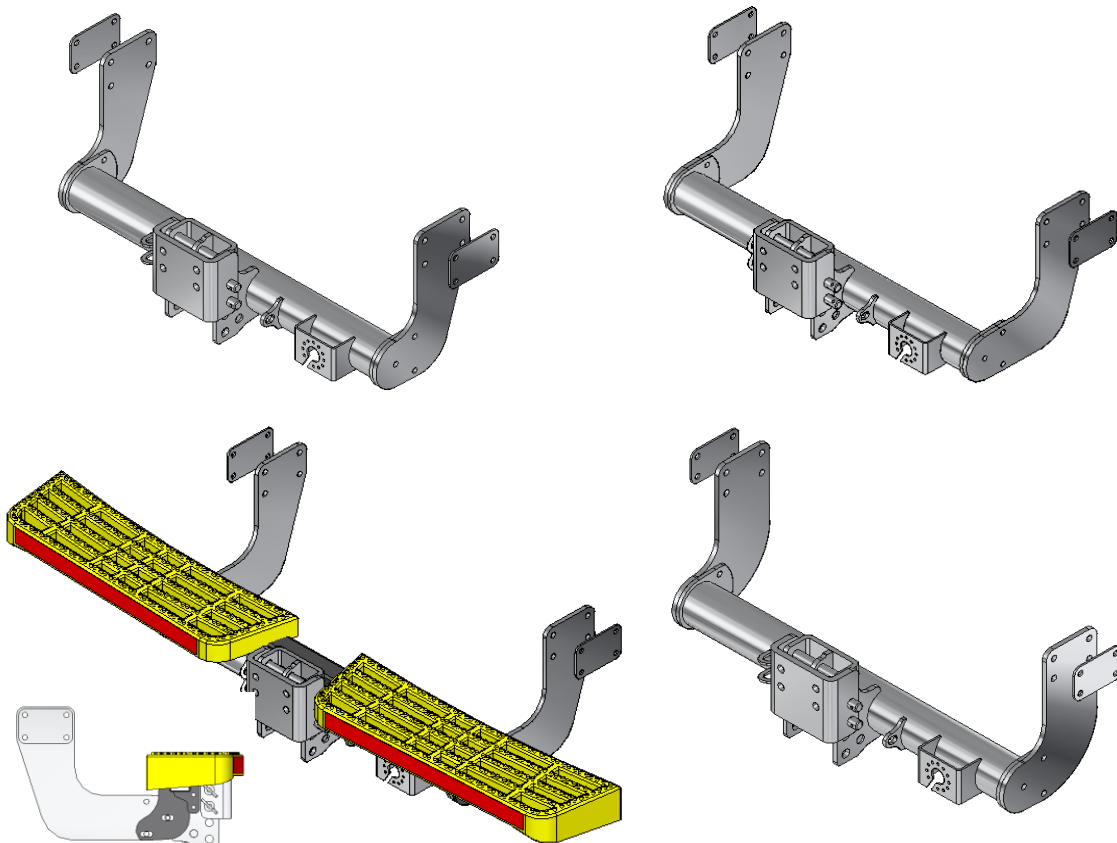


Issue 4

Mercedes Sprinter / Volkswagen Crafter TM100B TM200B TM200BG TM300B

Item	Qty	Description	Item	Qty	Description
A	1	Crossmember	F	2	M16 x 60 Bolts & Nyloc Nuts
B	2	Side Arms	G	8	M12 x 110 Grade 10.9 Bolts & Nyloc Nuts
C	2	Chassis Clamp Plate	H	6	M12 x 45 Grade 10.9 Bolts, 4 Nyloc Nuts 2 S/P Washers
D	1	Slider Frame	J	16	12 x 25 Flat Washers
E	2	Slider Frame Pins and clips	K	6	12 x 30 Flat Washers
			L	2	M16 x 50 Bolts

- 5 Tonne Chassis Cab Only:** Remove the four existing bolts each side bolting the under run beam to the vehicles chassis members and remove the beam. (No longer required).
- All Models:** Locate and clean all Towbar mounting point faces on vehicle, ensure both sides of chassis are clean and free from any under seal.
- Using Item G with Item J loosely bolt Item B to the existing holes in each chassis member with Item C on the outside face. **Note: Item C must be fitted with Towbar.**
- Using Item H with Item K loosely bolt Item A to Item B.
- Using Item F or Item L bolt the chosen coupling to the mounting plate Item D. **(When fitting to 5 tonne vehicles with the 4 bolt coupling (E100TC) please ensure 12 x 30 flat washers supplied with coupling are behind Item D)**
- Fully tighten all nuts and bolts and ensure the Towbar is rigid square and secure.
- Fit Item D to Item A using Item E. SEE SKETCH for orientation of clips.



Note:

- Recommended Torque Setting for M12 Grade 10.9 -139 Nm. (For other Torque Settings see notes overleaf.)
- Nose load limits and vehicle manufacturers trailer / caravan weight limits must be observed.

TM SERIES

