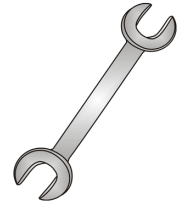




Tow-Trust Towbars

Important: Please read General Notes overleaf before fitting

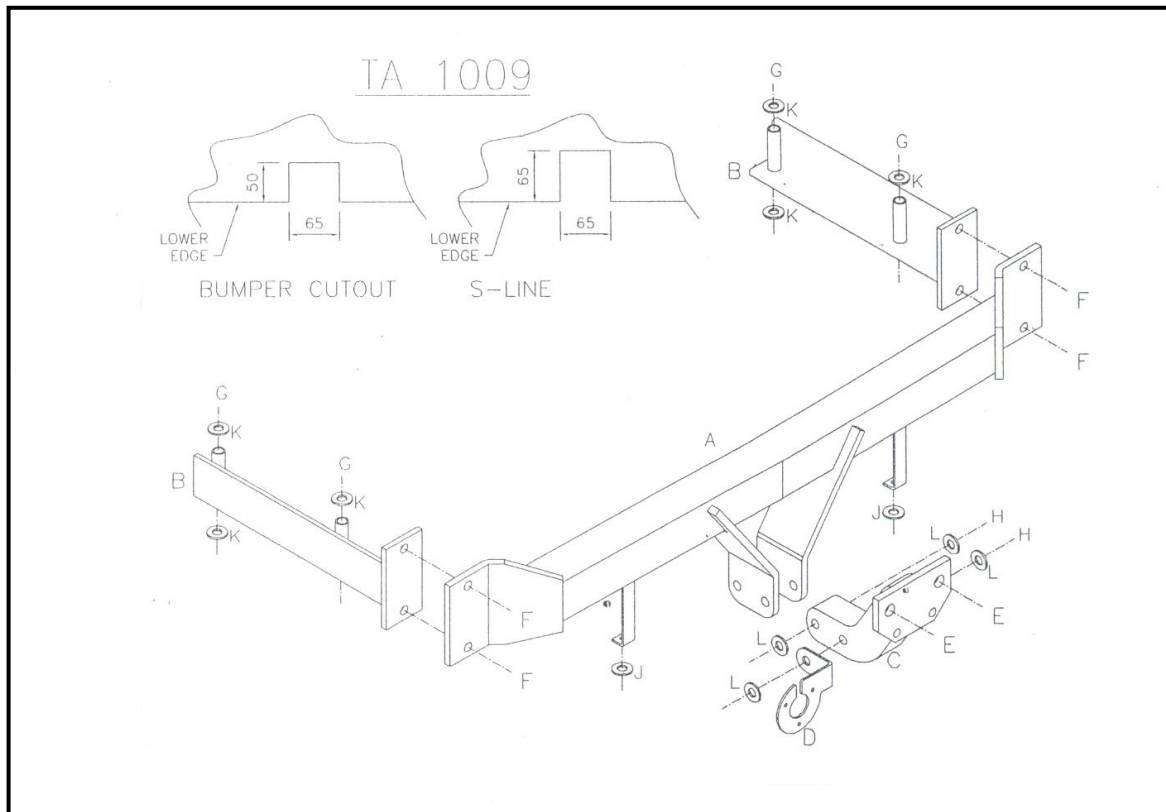


Issue 5

TA1009 Audi A4 Sal & Avant Est 2005 – 2008 Seat Exeo Sal & Est 2009>

Item	Qty	Description	Item	Qty	Description
A	1	Crossmember	E	2	M16 x 50 Bolts, Nuts & S/P Washers
B	2	Handed Side Arms	F	4	M12 x 40 Bolts, Nuts & S/P Washers
C	1	Extension Bar	G	4	M10 x 100 Bolts, 2 Nuts & 4 S/P Washers
D	1	Socket Plate	H	2	M12 x 85 Grade 10.9 Bolts & Nyloc Nuts
			J	2	Small Plastic Pop Rivets
			K	6	10 x 30 Flat Washers
			L	4	12 x 25 Flat Washers

1. Remove rear trim and side panels from inside the boot.
2. Remove mud flaps if fitted.
3. Remove the rear bumper. Three nuts beneath lamp unit inside boot and two nuts adjacent to these, three torx head screws from carpet wheel arch liners, four torx head screws from lower edge, four torx head screws from bumper tips. Pull bumper tips outwards then rearward.
4. Cut a section from the lower edge of the bumper 65mm wide x 50mm deep.
5. Remove the bumper beam. (This is not refitted with the towbar.)
6. Temporarily lower the rear exhaust hangers then temporarily remove the heat shield.
7. Locate item **B** into the open ends of each chassis, using item **G** with item **K** loosely bolt into place.
8. Using item **F** loosely bolt item **A** to item **B**.
9. Fully tighten all nuts and bolts and ensure the towbar is rigid and secure.
10. Re-fit the heat shield and exhaust.
11. Re-fit the rear bumper (use Item **J** on the two lower fixing points).
12. Using item **H** with item **L** bolt item **C** and item **D** to item **A**.
13. Using item **E** bolt the ball bracket (not supplied in this kit) to the mounting plate.
14. Refit rear trim and side panels inside the boot.



- Note:** 1. Recommended Torque Setting for M12 Grade 10.9 -139 Nm. (For other Torque Settings see notes overleaf.)
2. Nose load limits and vehicle manufacturers trailer / caravan weight limits must be observed.