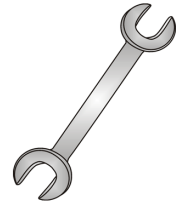




Tow-Trust Towbars

Important: Please read General Notes overleaf before fitting

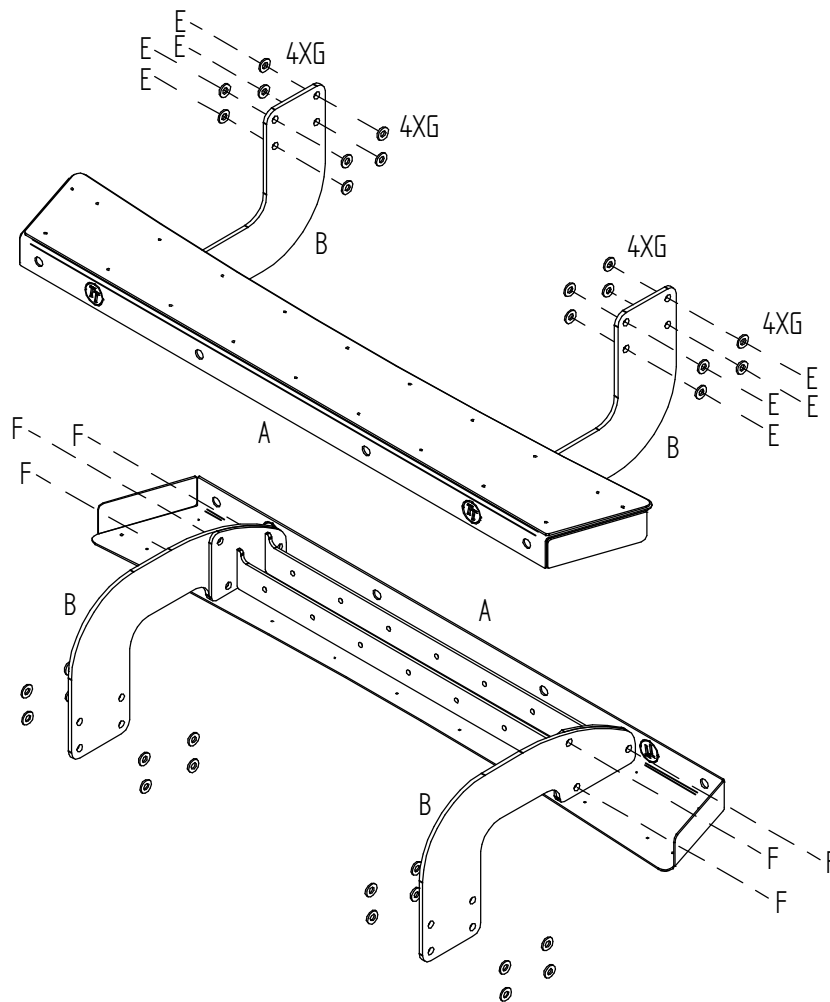


Issue 5

JUMBO6 Mercedes Sprinter Van / Crewbus 2006> & VW Crafter 2006> STEP

Item	Qty	Description	Item	Qty	Description
A	1	Step	E	8	M12 x 100 Bolts & Nyloc Nuts
B	2	Side Arms	F	6	M12 x 40 Bolts, Nuts & S/P Washers
C	4	18MM Grommets	G	22	12 x 25 Flat Washers

1. Remove the towing eye from the right hand chassis member. (This is not refitted with the Step.)
2. Using Item E with Item G loosely bolt Items B to the existing holes on the inside face of each chassis member.
3. Using Item F with Item G bolt Item A to Item B.
4. Fully tighten all nuts and bolts and ensure the Step is rigid and secure.



ALL RIGHTS RESERVED ON THIS PRODUCT (TOW-TRUST TOWBARS)