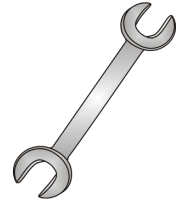




# Tow-Trust Towbars

Important: Please read General Notes overleaf before fitting

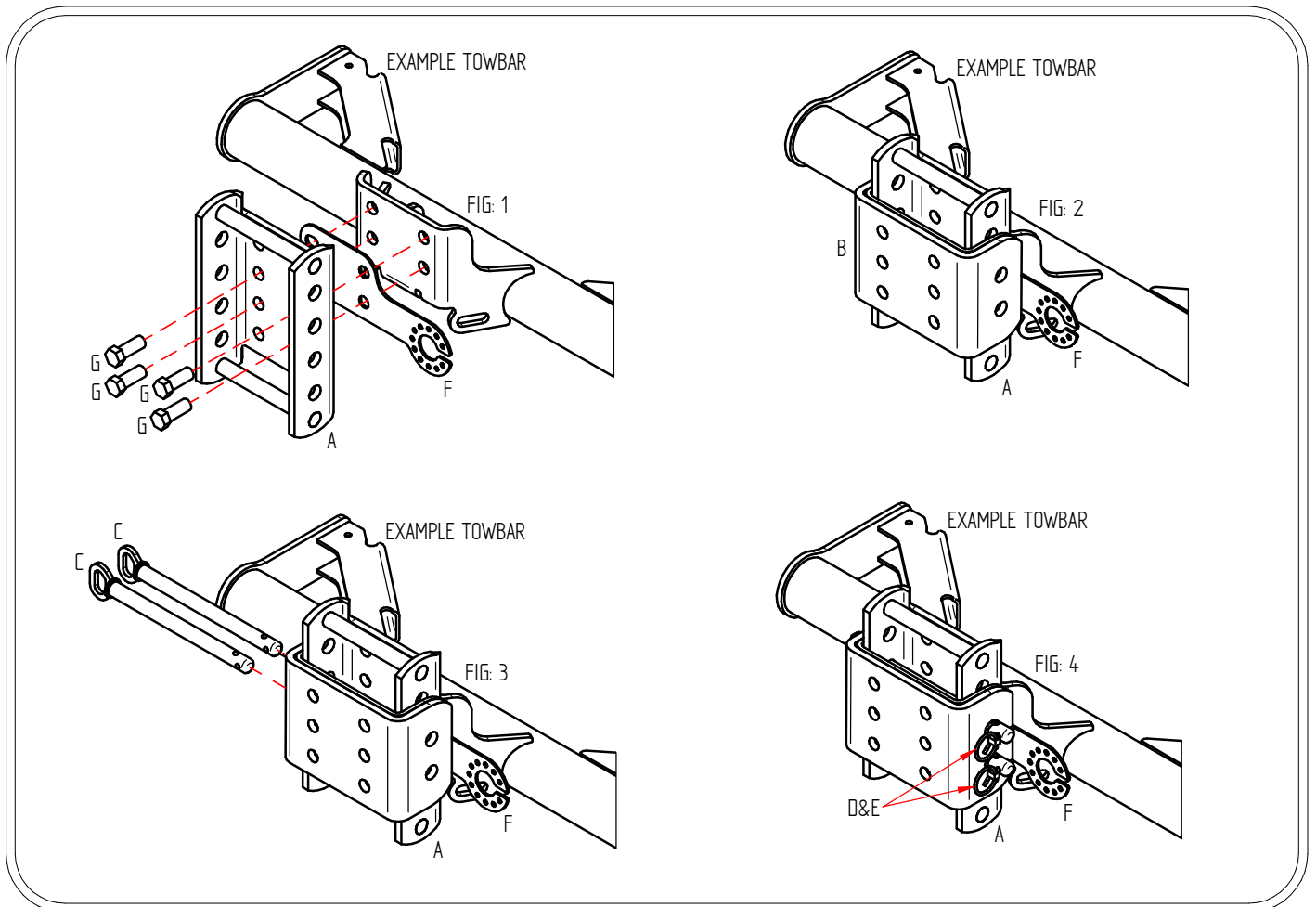


Issue 2

## AHC (ADJUSTABLE HEIGHT COUPLINGS)

Item	Qty	Description	Item	Qty	Description
A	1	Rear Frame	G	6	M16 x 50 Bolts, Nuts & S/P Washers
B	1	Front Frame			
C	2	Pins			
D	2	Lynch Pins			
E	2	R-Clips			
F	1	Socket Plate			

1. FIG:1, Using Item G bolt the rear frame (Item A) and the Socket Plate (Item F) to the Towbar face plate.
2. FIG:2, Hold up Item B and choose your desired height with the front frame.
3. FIG:3, Insert Items C locking the front frame (Item B) in place.
4. FIG:4:, Insert Items D and Items E locking the pins (Items C) in place.



- Note:**
1. Recommended Torque Setting for M12 Grade 10.9 -139 Nm. (For other Torque Settings see notes overleaf.)
  2. Nose load limits and vehicle manufacturers trailer / caravan weight limits must be observed.